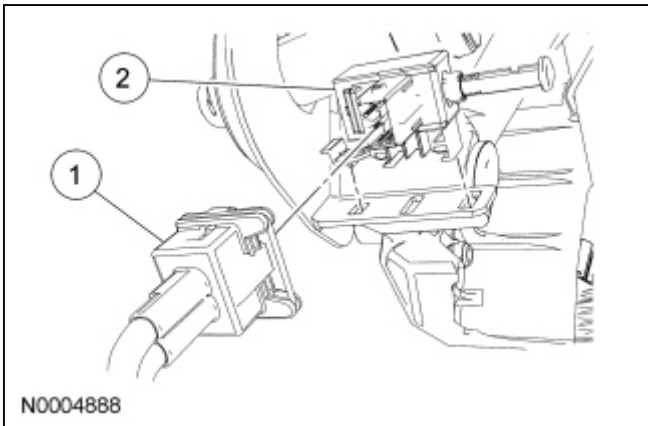


Clutch Pedal Position (CPP) Switch



Item	Part Number	Description
1	11A152	Clutch Pedal Position (CPP) switch electrical connector (part of 12638)
2	14489	CPP switch

Removal and Installation

1. Disconnect the Clutch Pedal Position (CPP) switch electrical connector.
2. Release the [CPP](#) switch from the clutch pedal bracket.
3. To install, reverse the removal procedure.